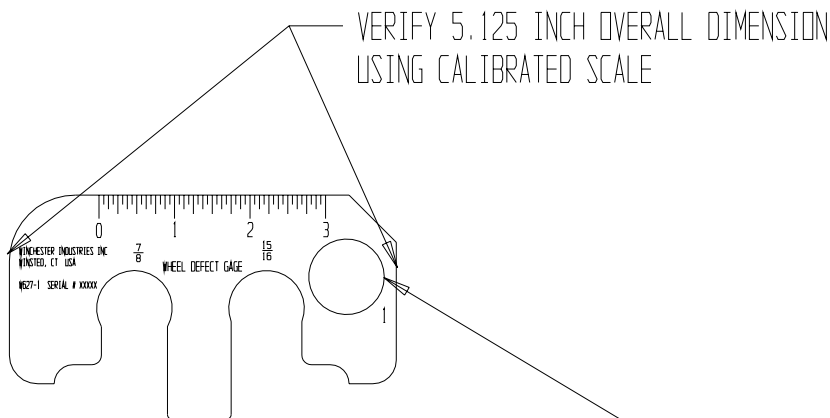
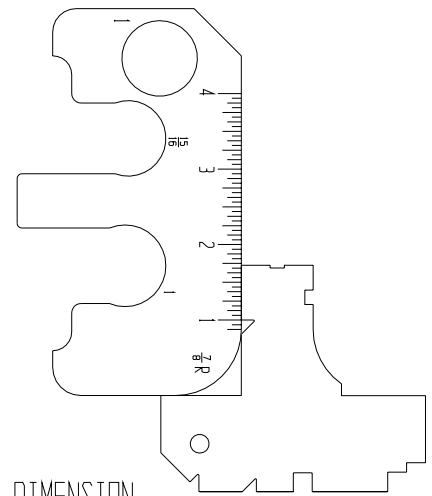
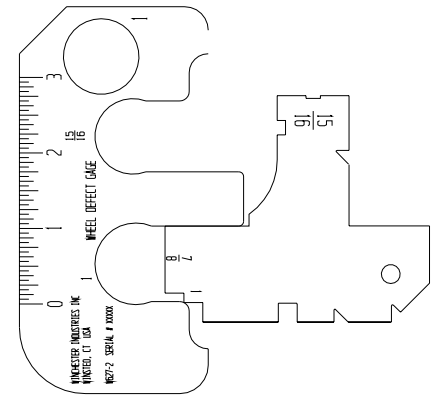
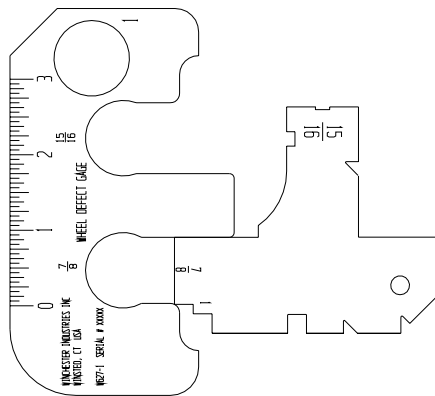
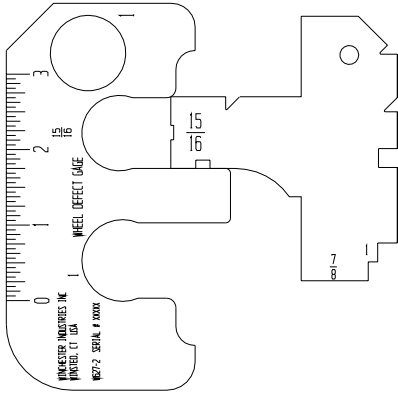


# VERIFYING W627-1 & W627-2 USING MASTER GAGE W785A



VERIFY 1 INCH DIAMETER  
USING CALIBRATED SCALE

ALTERNATE VERIFICATION METHOD  
USE CALIBRATED SCALE TO  
VERIFY ALL BOXED DIMENSIONS