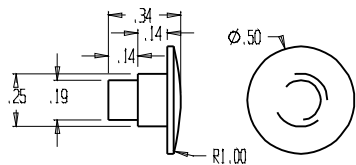


STAINLESS STEEL RIVET

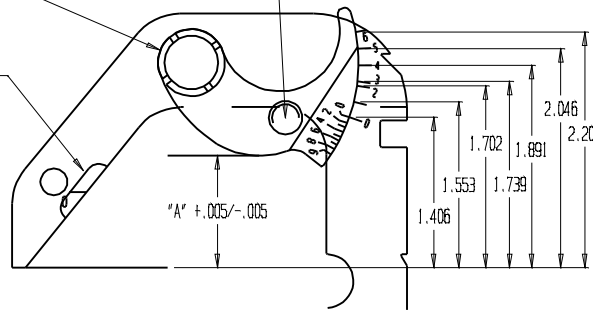


BLACK SPRING WASHER

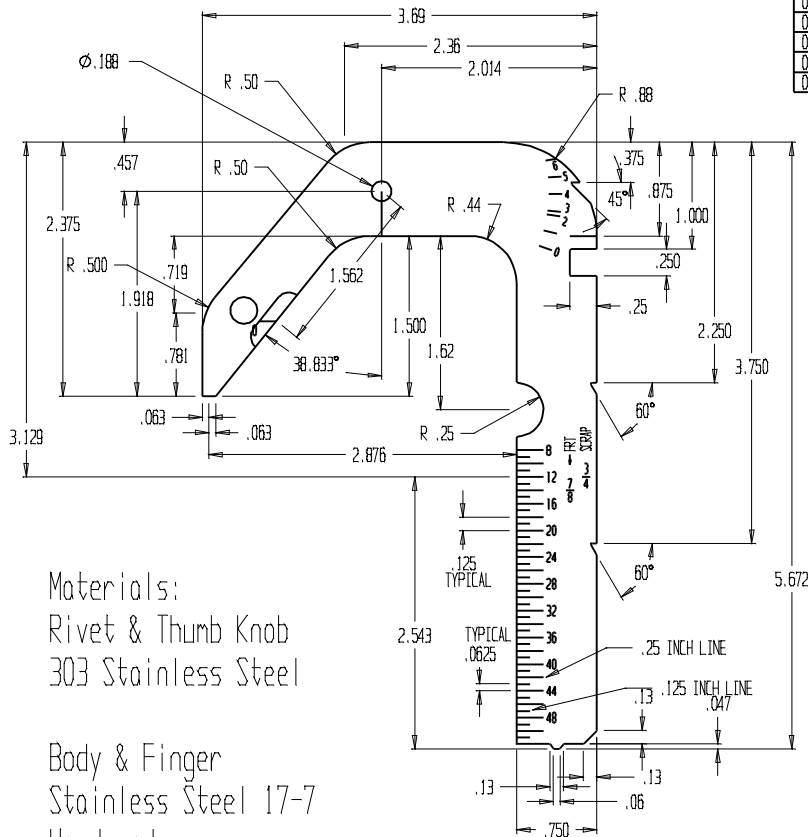
STAINLESS STEEL THUMB KNOB

PROVIDE RELIEF BACK OF GAGE FOR READING
WIDE FLANGE GRADUATIONS

	A
Ø AT 6	1.375
Ø AT 5	1.3125
Ø AT 4	1.250
Ø AT 3	1.1875
Ø AT 2	1.172
Ø AT 1	1.108
Ø AT 0	1.047



Ø AT 0 (FRONT LEG)	TO Ø AT 0	109.854 DEGREES
Ø AT 0	TO Ø AT 1	5.60632 DEGREES
Ø AT 1	TO Ø AT 2	5.57047 DEGREES
Ø AT 2	TO Ø AT 3	1.39498 DEGREES
Ø AT 3	TO Ø AT 4	5.5917 DEGREES
Ø AT 4	TO Ø AT 5	5.67537 DEGREES
Ø AT 5	TO Ø AT 6	5.82744 DEGREES
Ø AT 6	BACK TO Ø AT 1	-29.6663 DEGREES



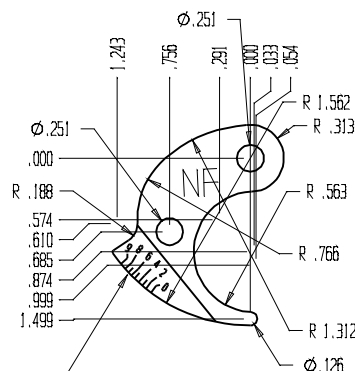
Materials:
Rivet & Thumb Knob
303 Stainless Steel

Body & Finger
Stainless Steel 17-7
Hardened

SCALE: .5X

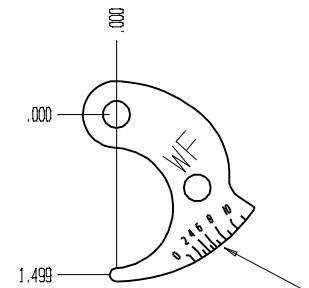
REFERENCE:
AAR MSRP SECTION G
Standard S-617-80

FINGER ORIENTATION
"Y" AXIS THROUGH CENTER
.251" & .126" DIAMETERS



LOCATION INTERSECTION
REGISTRATION MARKS & 1.562 RADIUS

REGISTRATION	LOCATION (X & Y)
0	-0.931, -1.254
2	-0.976, -1.220
3	-1.010, -1.192
4	-1.047, -1.159
5	-1.085, -1.124
6	-1.112, -1.097
7	-1.141, -1.067
8	-1.171, -1.033
9	-1.210, -0.988



LOCATION INTERSECTION
REGISTRATION MARKS & 1.562 RADIUS

REGISTRATION	LOCATION (X & Y)
0	0.737, -1.377
2	0.805, -1.338
3	0.845, -1.313
4	0.880, -1.290
5	0.915, -1.266
6	0.945, -1.244
7	0.982, -1.215
8	1.030, -1.175
9	1.080, -1.129
10	1.139, -1.069
11	1.203, -0.988

TOLERANCE:
UNLESS OTHERWISE NOTED
FRACTIONS +/- .015"
.X +/- .015"
.XX +/- .010"
.XXX +/- .005"
ANGULAR: +/- 1.0 DEGREE

WINCHESTER INDUSTRIES INC.				
STEEL WHEEL GAGE				
SIZE A	Job#	DWG NO. W601	Disk	REV B
CUSTOMER			ENG JCD 11/25/96	