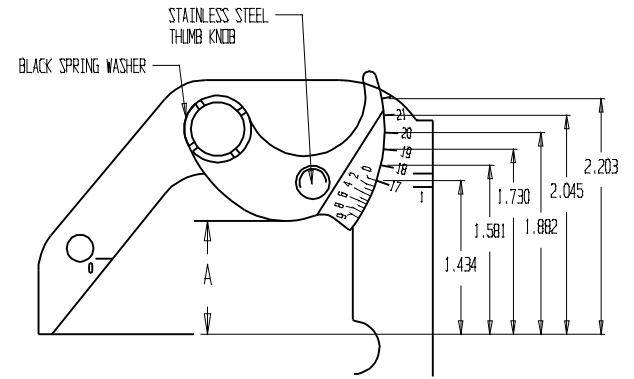
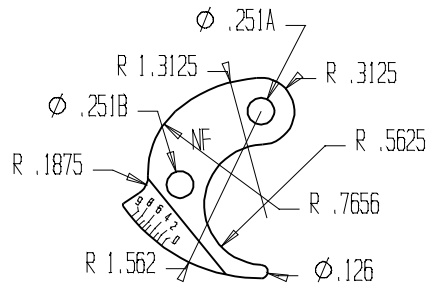
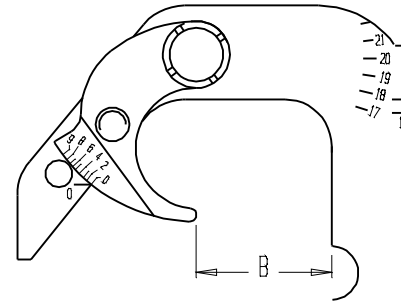
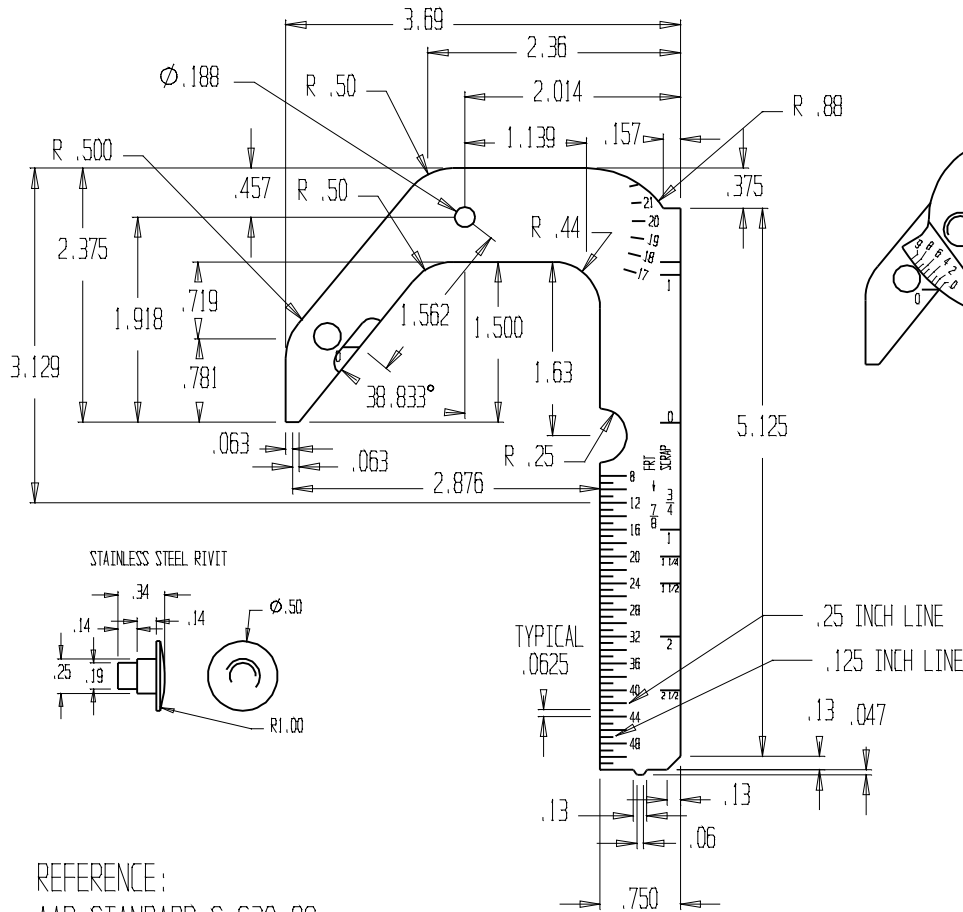


FINGER RADII CENTERS	
0.3125	<0.00, 0.00>
0.251A	<0.00, 0.00>
0.251B	<-0.755726, -0.685488>
1.3125	<0.0536604, -0.999073>
0.7656	<-0.29881, -0.573978>
1.562	<0.00, 0.00>
0.126	<0.00, -1.49899>
0.5625	<0.0332779, -0.874367>
0.1875	<-1.24331, -0.610423>



	A	1/16
0 AT 22	1.375	22
0 AT 21	1.313	21
0 AT 20	1.250	20
0 AT 19	1.188	19
0 AT 18	1.125	18
0 AT 17	1.063	17



AT	B
0	1.264
2	1.210
3	1.168
4	1.120
5	1.070
6	1.034
7	0.995
8	0.951
9	0.894

MANUFACTURE TOLERANCE +/- .005  
 RECERTIFICATION TOLERANCE: +/- .010

REFERENCE:  
 AAR STANDARD S-630-98  
 FOR NARROW FLANGE ONLY

SCALE: .5X

WINCHESTER INDUSTRIES INC.				
STEEL WHEEL GAGE (NF ONLY)				
SIZE A	Job#	DWG NO. W600A	Disk	REV B
CUSTOMER			ENG	JCD 01/14/99